



MALVINA EUROPE SARL

CAPITAL VARIABLE DE 15 246 Euros • C.E. FR 784 376 783 78

R.C.S Saint-Gaudens 437 678 378 • SIRET 437 678 378 00013



HOT TUB POLYPROPYLENE



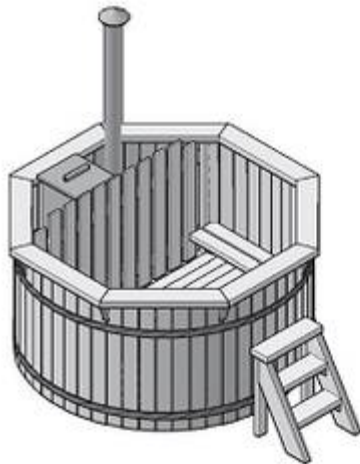


Hot tub

POLYPROPYLENE

health, beauty, peace of mind

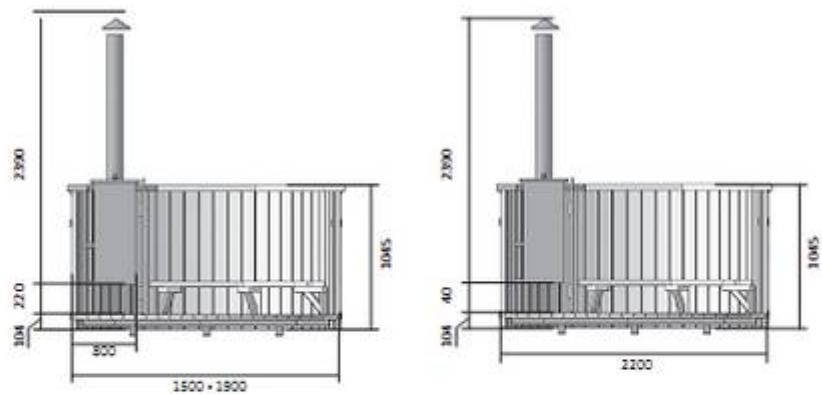
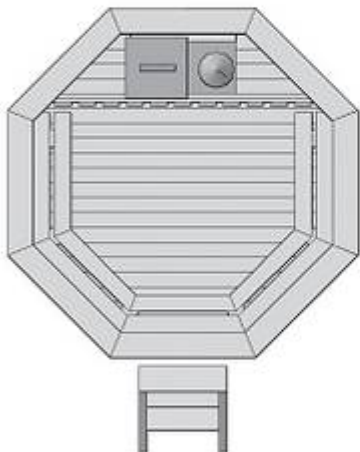
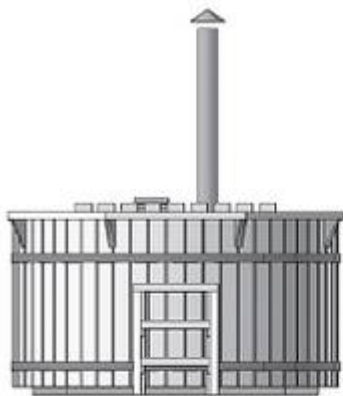
Specifications



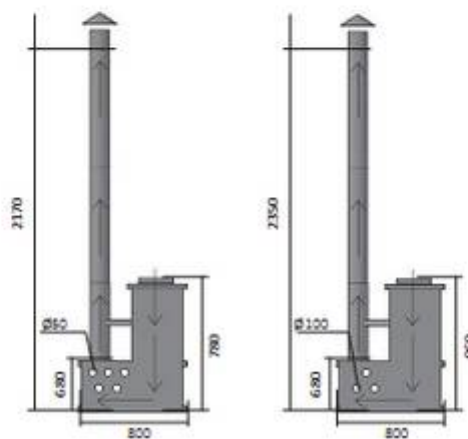
Diameter, m	1,5	1,9	2,2
Capacity, l	1600	2550	3420
Weight, kg <i>(empty hot tub)</i>	250	350	450
Group of people	4-6	6-8	8-10

HOT TUB STANDARD SET

- Wooden hot tub with inside polypropylene frame
- Stainless steel built-in heater with a chimney
- Stainless steel hoops
- Safety fence
- Benches
- Outlet valve for water hose connection
- Steps
- Wooden cover



Water heaters



For \varnothing 1500/1900 diameter hot tub

For \varnothing 2200 diameter hot tub

INSIDE WOOD BURNING HEATERS MADE OF STAINLESS STEEL.

Stainless steel metal 304 is the most widely used steel. Provides good resistance in moderately acidic solutions.

Type of wood



SPRUCE

The spruce is of Nordic species. It is light coloured, nearly white. Thin and regular texture. Suitable for painting and flexible. Spruce tubs are outstanding for being waterproof and durable.

Inside frame



POLYPROPYLENE FRAME

Polypropylene hot tubs require less care than wooden tubs and this is the main advantage that makes them saleable. Polypropylene hot tubs made from 5mm polypropylene sheets (some details are 8 mm) are easy care, cold and UV resistant. The exterior is made from wood and that makes them have nature friendly appearance but with more hygienic inside. From outside they look like wooden items and you can choose the inside colour from classic pool blue, grey or modern black.

Accessories



STAIRS „2 STEPS“

Height – 65 cm;
width – 50 cm.



BOTTLE HOLDER

Bottle holder for 5 bottles available in either larch or spruce.



MIXING PADDLE

Length of the shaft – 177 cm, width – 5 cm; Width of the blade– 14 cm; thickness – 2,5 cm



LED LIGHT

LED waterproof light with automatic color change. The lights are powered by 4 x AAA batteries (not included). Size: 11cm x 4,5cm. Price for 2 PCS.



SCOOP & POKER

A scoop and a poker with wooden handles for cleaning and maintenance of the hot tub heater. Height – 82 cm; Size of the shovel – 12x15 cm.



IMPREGNATION

Impregnation is produced from natural ingredients. It accentuates the texture of wood, protects wood from side effects of the atmosphere and UV rays.



Transportation



ASSEMBLED HOT TUBS



Usage



After purchasing our open air bath first of all you should fill it with water. When preparing for bathing, the tub should be filled-in with water about 10 cm below the top, taking into account the number of people that are going to use it. Before heating the water, make sure that the heater is sub-merged in water about 5-10 cm below the footing of the chimney. Firewood or briquettes can

be used for heating; water is heated to 40°C in 2-4 hours depending on the material used for heating and air temperature.

Maintenance



At least once a year the functioning tub must be impregnated as it gives more durability. After usage the tub and water inside must be cleaned. If there is no need to change the water just remove impurities with a gripping device. If the hot tub is kept outside it should be drained before winter months come. It can be drained through a valve at the bottom of the tub for easy water disposal. Water also can be emptied by using a pump. For hot tub cleaning and maintenance the water pool maintenance equipment can be used. Water must be removed only for cleaning reasons or when changing the water. In the

cold period of the year the tub should be kept empty as the ice can cause damage. In winter there is sufficient humidity in the air which provides protection against desiccation. However, if the wood has slightly dried, the constriction rings must be tightened before pouring water. To avoid pollution, the tubs that are not used in the open air should be kept covered.





MALVINA SYSTEMS



www.malvina.fr



MALVINA EUROPE SARL

55, avenue Foch, 31110 – Bagnères de Luchon (France)

E-mail : malvina@malvina.fr - chalets@malvina.fr

Web : www.chaleurverte.malvina.fr - www.malvina-europe.com

Bureau : 33 (0) 561 794 699 - Mobile : 33 (0) 688 881 532

Skype : [malvinaeurope](https://www.skype.com/name/malvinaeurope)



chalets@malvina.fr