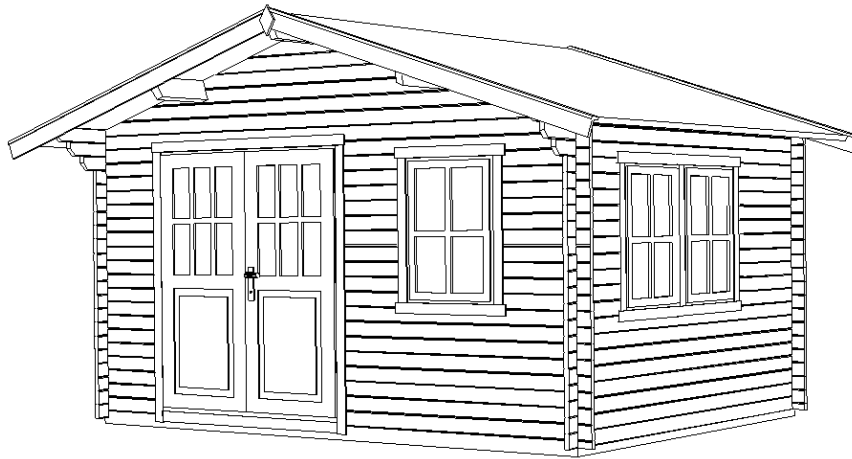


# NB3838(35\*125)L2s7



Pos	Size, mm			Units St	Drawing	Remark
	Lenght	Width	Thickness			
1.	4770	125	35	1+1		WallC,D
2.	4470	125	35	2		WallC,D
3.	4270	125	35	1		WallD
4.	1020	125	35	1		WallC
5.	4070	125	35	38		WallA,B,C,D
6.	4070	63	35	1		WallB
7.	1860	125	35	15		WallA,C
8.	1860	63	35	1		WallA
9.	820	125	35	7		WallC
10.	580	125	35	23		WallA
11.	580	63	35	1		WallA
12.	550	125	35	8		WallA
13.	3808	680	35	2		Giebel
Sp1.	4770	140	60	1+2		Rafter
L1	3730	130	35	3		Ground bearer
L2	3730	65	35	4		Ground bearer
L3	3860	65	35	2		Ground bearer
L4	3795	105	22	37		Floor board
L5	3800	35	20	4		Plinth
Da1	2490	105	19	92		Roof board
Da2	4770	70	19	2		Eaves board
Da3	2600	110	19	4		Forehead board
Da4	2600	70	19	4		Forehead board
X1	2100	50	35	4		Storm bar
X2				2		Vane
T1	1940	1615	35	1		Double door
T2	980	1380	35	1		Double window
T3	980	715	35	1		Window

# NB3838(35\*125)L2s7



**Packets quantity:**

**Packet No:**

**Packer No:**

**Japan**

# NB3838(35\*125)L2s7

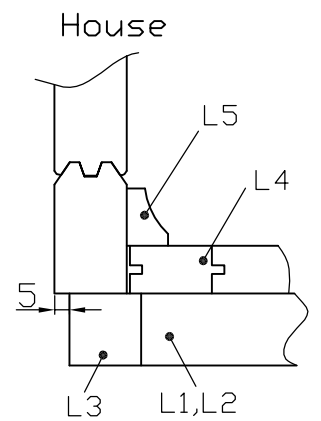
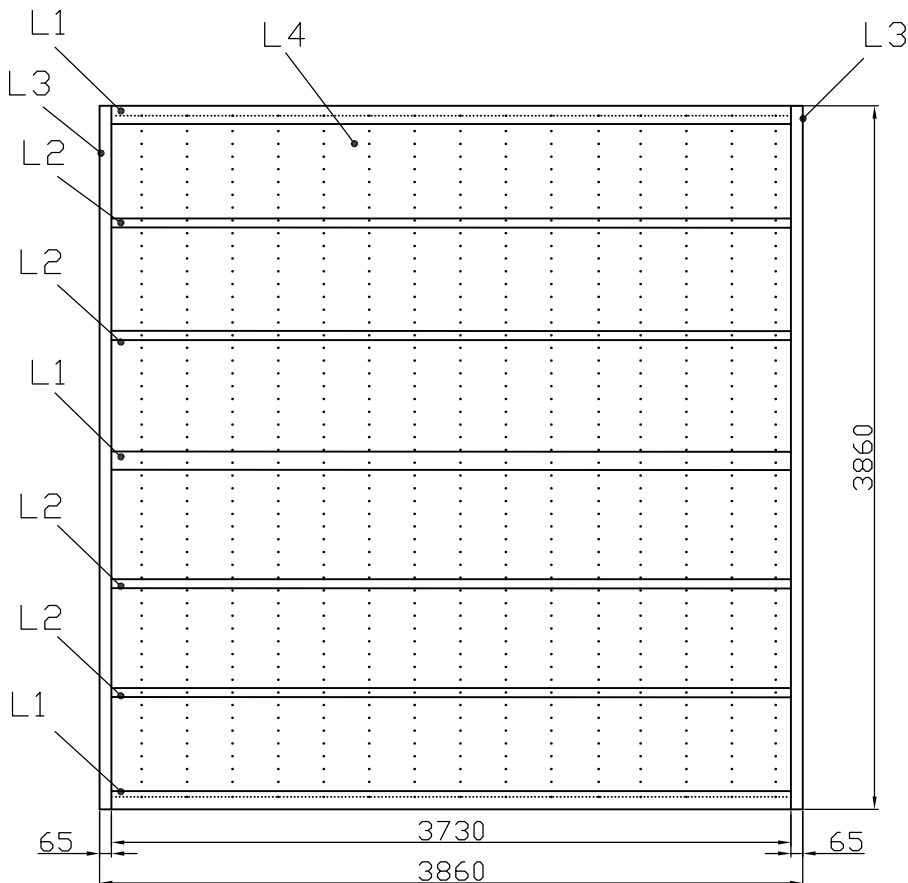
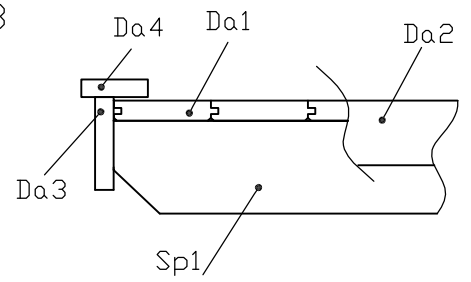
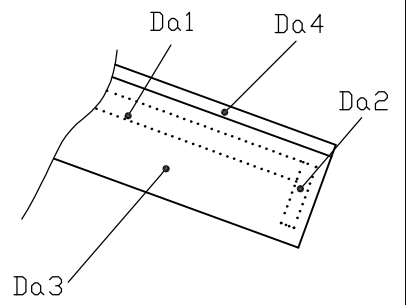
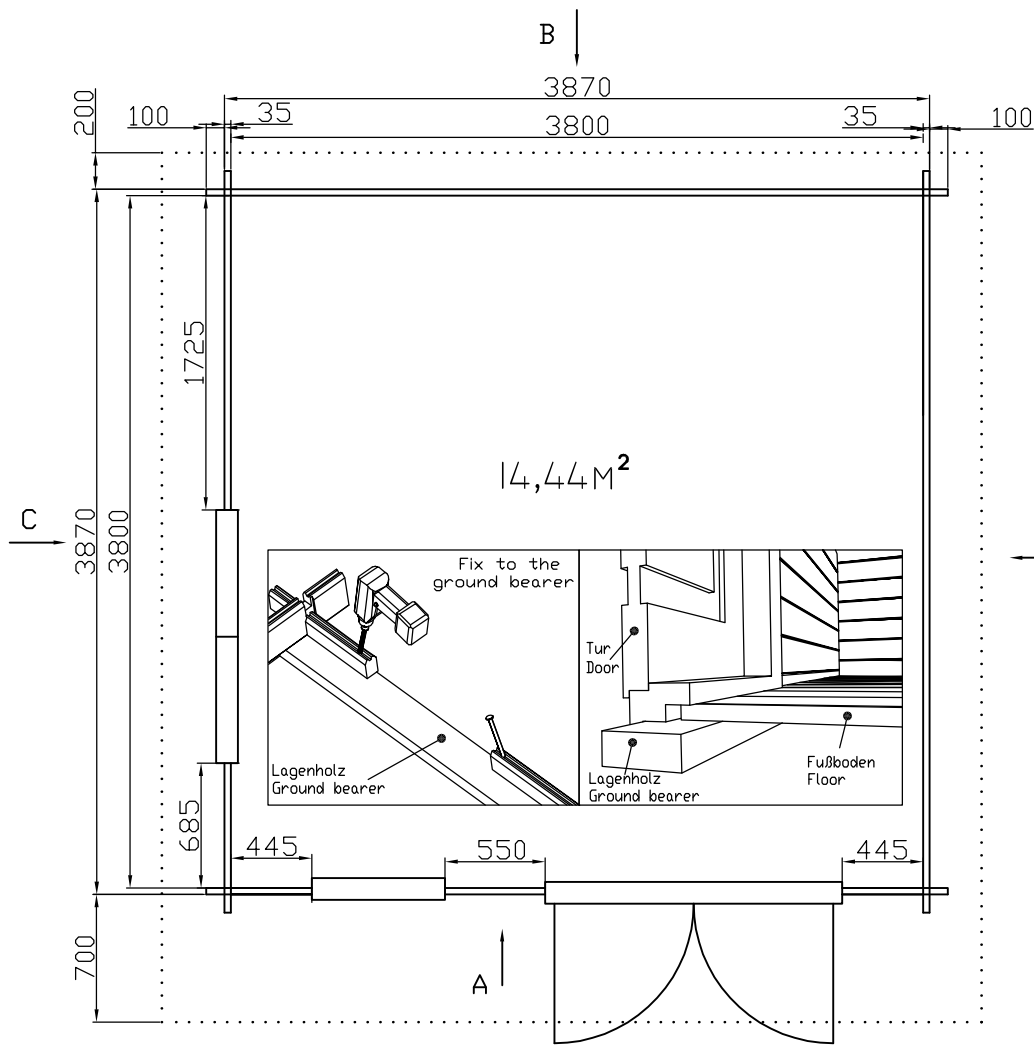


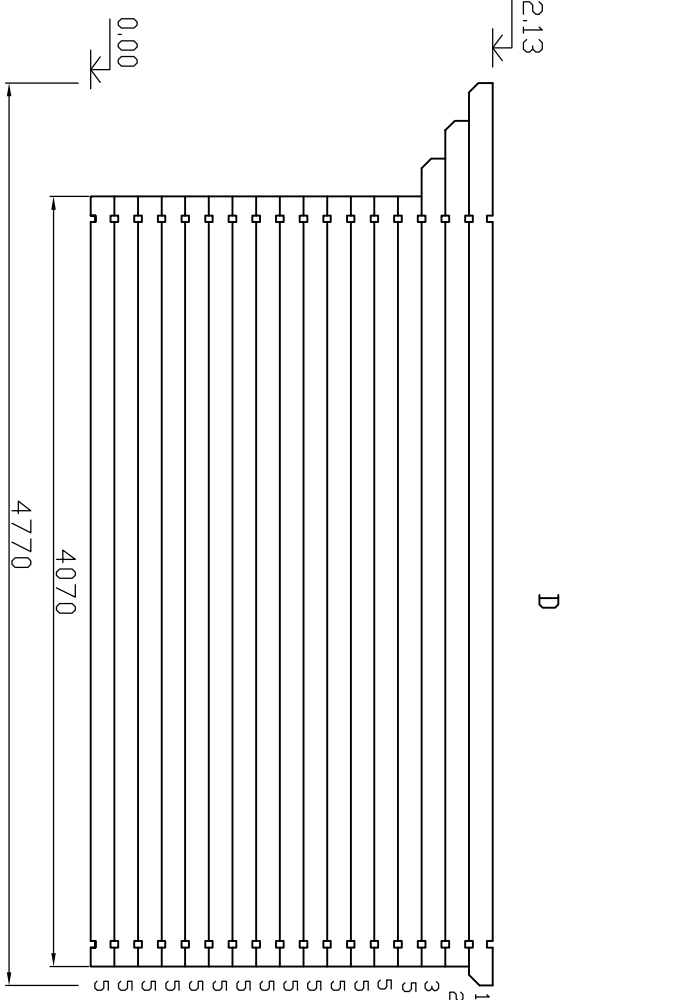
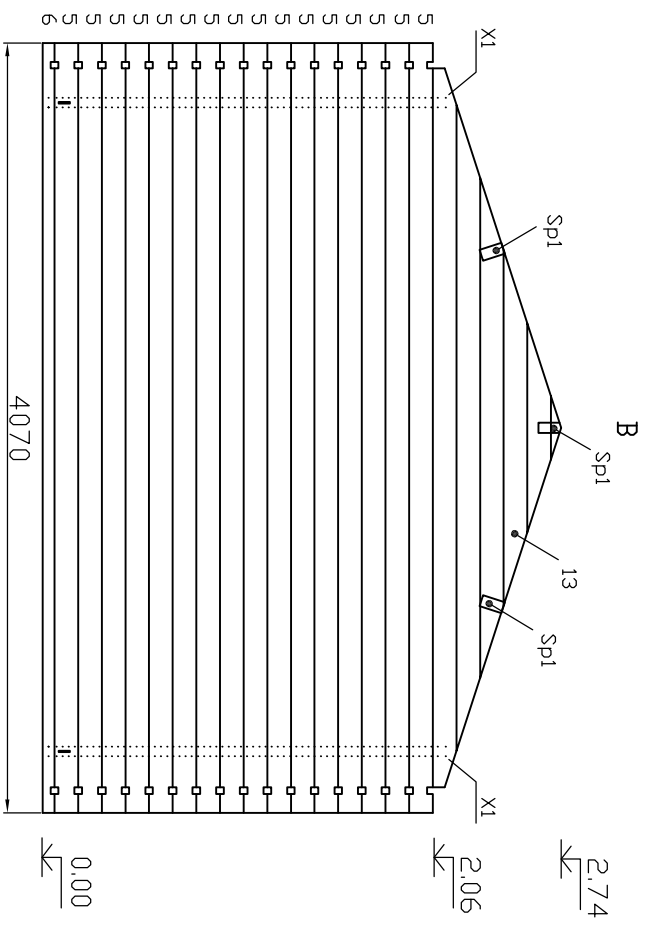
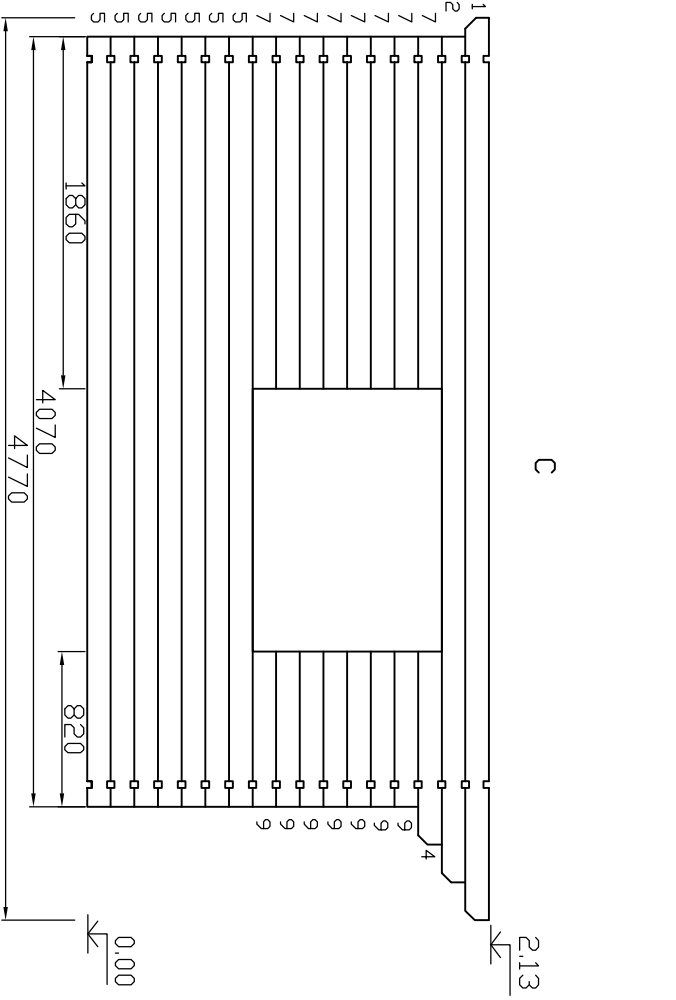
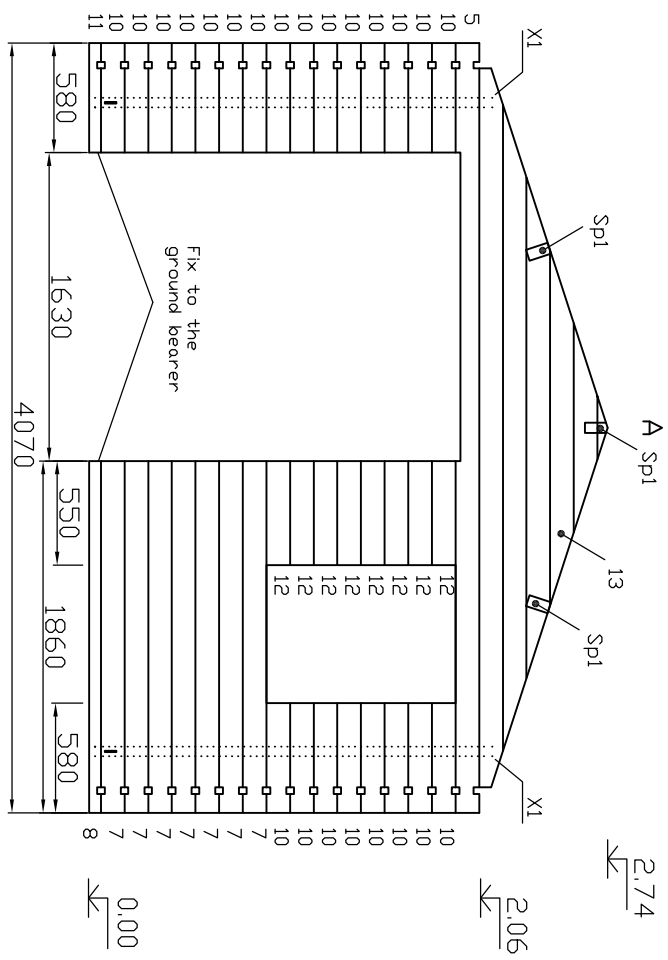
**Packets quantity:**

**Packet No:**

**Packer No:**

**Japan**





NB3838(35\*125)L2S7